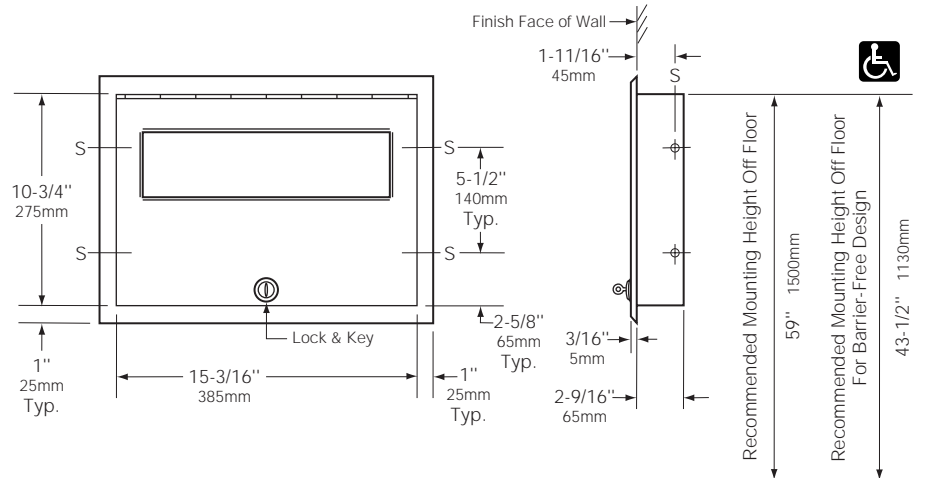




Technical Data

RECESSED TOILET-SEAT-COVER DISPENSER

B-301



<p>Rough Wall Opening 15-5/8" (395mm) wide 11-1/4" (285mm) high 2-5/8" (67mm) minimum recessed depth</p>

MATERIALS:

Cabinet — 18-8 S, type-304, heavy-gauge stainless steel. All-welded construction.

Flange — 18-8 S, type-304, 22-gauge (0.8mm) stainless steel with satin finish. Drawn and beveled, one-piece, seamless construction.

Door — 18-8 S, type-304, 22-gauge (0.8mm) stainless steel with satin finish. Secured to cabinet with a full-length, stainless steel piano-hinge. Beveled opening. Equipped with a tumbler lock keyed like other Bobrick washroom accessories.

OPERATION:

Dispenses single- or half-fold paper toilet seat covers. To fill dispenser, door unlocks with key provided. Capacity: 500 toilet seat covers.

INSTALLATION:

Provide framed rough wall opening 15-5/8" wide x 11-1/4" high (395 x 285mm). Minimum recessed depth required from finish face of wall is 2-5/8" (67mm). Allow clearance for construction features that may protrude into rough wall opening from opposite wall. Coordinate with mechanical engineer to avoid pipes, vents, and conduits in wall. Mount cabinet with shims between framing and cabinet at all points indicated by an S, then secure unit with four #8 x 1-1/4" (4.2 x 32mm) sheet-metal screws (not furnished).

SPECIFICATION:

Recessed toilet-seat-cover dispenser shall be type-304 stainless steel with all-welded construction; exposed surfaces shall have satin finish. Flange shall be drawn and beveled, one-piece, seamless construction. Door shall be secured to cabinet with a full-length, stainless steel piano-hinge and equipped with a tumbler lock keyed like other Bobrick washroom accessories.

Dispenser shall have a capacity of 500 paper toilet seat covers. Manufacturer's service and parts manual shall be provided to the building owner/manager upon completion of project.

Recessed Toilet-Seat-Cover Dispenser shall be Model B-301 of Bobrick Washroom Equipment, Inc., Clifton Park, New York; Jackson, Tennessee; Los Angeles, California; Bobrick Washroom Equipment of Canada Ltd., Scarborough, Ontario; Bobrick Washroom Equipment Pty. Ltd., Australia; and Bobrick Washroom Equipment Limited, United Kingdom.