

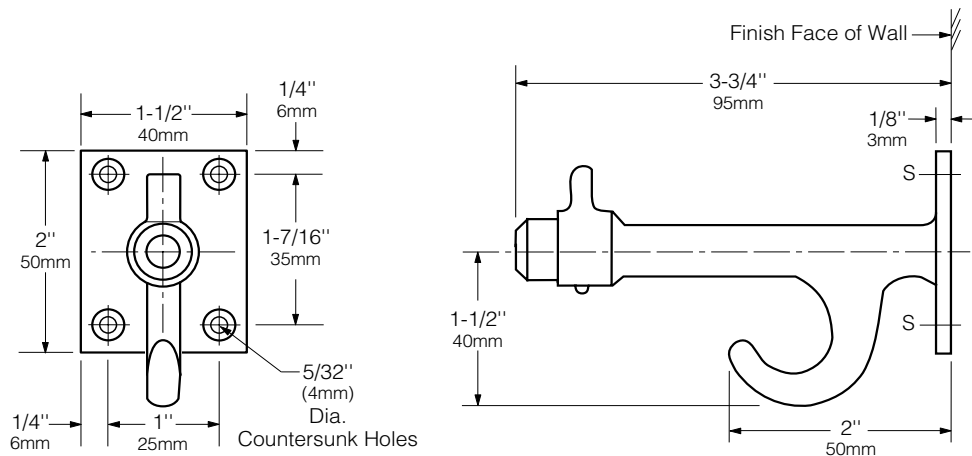


Technical Data

COAT HOOK WITH BUMPER

B-212

(2) Thus



MATERIALS:

Hook and Base — Solid cast aluminum with matte finish.

Bumper — Hard rubber secured with drive-screw. Protects wall or partition surfaces.

INSTALLATION:

Mount unit on wall with four screws, furnished by manufacturer, at points indicated by an S. For plaster or dry wall construction, provide concealed backing to comply with local building codes, then secure hook with screws furnished. For other wall surfaces, provide fiber plugs or expansion shields for use with screws furnished, or provide 1/8" (3mm) toggle bolts or expansion bolts.

SPECIFICATION:

Coat hook shall be constructed of solid cast aluminum with matte finish. Unit shall be equipped with hard rubber bumper. Manufacturer's service and parts manual shall be provided to the building owner/manager upon completion of project.

Coat Hook With Bumper shall be Model B-212 of Bobrick Washroom Equipment, Inc., Clifton Park, New York; Jackson, Tennessee; Los Angeles, California; Bobrick Washroom Equipment of Canada Ltd., Scarborough, Ontario; Bobrick Washroom Equipment Pty. Ltd., Australia; and Bobrick Washroom Limited, United Kingdom.



WWW.BOBRICK.COM

Technical Data

1 1/4" (32mm) DIAMETER STAINLESS STEEL GRAB BARS WITH EXPOSED MOUNTING

B-490 SERIES

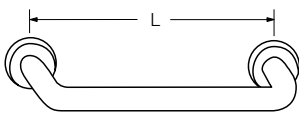
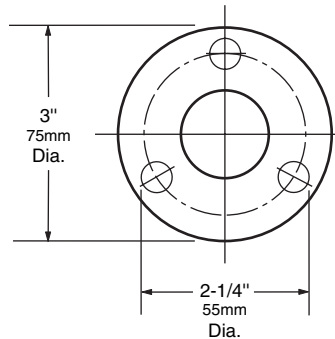
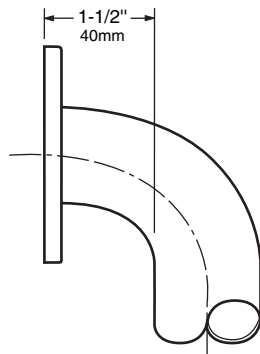
Specify Finish Required:

Satin finish

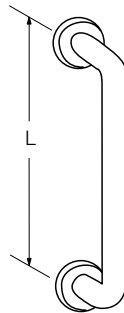
Satin finish with peened gripping surface; add suffix .99 to model number

(2) Thus @ 36"

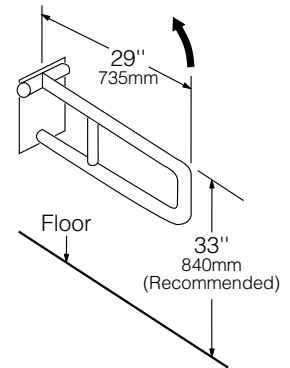
(2) Thus @ 42"



HORIZONTAL
B-490 x 24, 36, 42



VERTICAL
B-490 x 24, 36, 42



WALL MOUNTED SWING UP
* B-4998

* For more information, refer to Technical Data Sheet B-4998

continued . . .

MATERIALS:

Grab Bar — 18-8 S, type-304, 18-gauge (1.2mm) stainless steel tubing with satin finish. 1-1/4" (32mm) outside diameter. Ends are heliarc welded to flanges. Clearance between the grab bar and wall is 1-1/2" (38mm).

Flanges — 18-8 S, type-304, 1/8" (3mm) thick stainless steel plate with satin finish. 3" (75mm) diameter with three screw holes for attachment to wall.

STRENGTH:

Bobrick grab bars that provide 1-1/2" (38mm) clearance from wall can support loads in excess of 900 pounds (408kg) if properly installed. Other grab bar configurations can support loads in excess of 250 pounds (113kg) if properly installed, complying with barrier-free accessibility guidelines (including ADAAG in the U.S.A.) for structural strength

Caution: Grab bars are no stronger than the anchors or walls to which they are attached and, therefore, must be firmly secured in order to support the loads for which they are intended.

INSTALLATION:

Provide concealed anchor device or backing as specified or required in accordance with local building codes before wall is finished. Fasten grab bar to anchor device or backing with three screws in each flange. Concealed anchor devices and mounting screws are not included with Bobrick grab bars and must be specified as an accessory.

Important Notes:

1. **Mounting Kits** — Bobrick has a selection of mounting screws and fasteners available for different types of installations; **one Bobrick mounting kit is required for each flange.**

Mounting Kit No.	Description
252-30	Consists of (3) #14 x 2½" (M6.3 x 64mm) type-304 stainless steel, Phillips round-head, sheet-metal screws.
2521-30	Consists of (3) 1/4"-20 x 3½" (M6.3-1 x 89mm) type-304 stainless steel, Phillips round-head, machine screws with plated-steel toggle nuts.
2522-30	Consists of (3) 1/4"-20 x 2" (M6.3-1 x 51mm) type-304 stainless steel, Phillips round-head, machine screws with metal expansion shields.

2. **Concealed Anchor Devices** — Bobrick has a complete selection of grab bar anchor devices available for all types of installations. All Bobrick concealed anchor devices include stainless steel machine screws to be used for attaching grab bars to anchors.

Concealed Anchor No.	Type of Installation
2573	Anchor for solid wall construction; 1 anchor required for each flange.
2581	Anchor for installation of grab bar through toilet partition; 1 anchor required for each flange.

3. **Grab Bar Fastener** — Bobrick has a grab bar fastening system that secures all Bobrick grab bar series; **one Bobrick fastener is required for each flange.** Install grab bar without backing in wall. Requires maximum 5/8" (16mm) thick paneled or tiled dry wall.

Winglt™ Fastener No.	Description
251-4	Consists of (3) 10-32 x 5/16" round-head, Phillips 18/8 stainless steel screws. (1) Winglt grab bar fastener.

For installation where vandalism is a concern, vandal-resistant, stainless steel, one-way, round-head machine screws are available and should be ordered separately; order Bobrick Part No. 1002193.

SPECIFICATION:

Grab bar shall be type-304 stainless steel with satin finish. Grab bar shall have 18-gauge (1.2mm) wall thickness and 1-1/4" (32mm) outside diameter. Clearance between the grab bar and wall shall be 1-1/2" (38mm). Flanges shall be 1/8" (3mm) thick stainless steel plate, 3" (75mm) diameter, and equipped with three screw holes for attachment to wall. Ends of grab bar shall pass through flanges and be heliarc welded to form one structural unit. Grab bar shall comply with barrier-free accessibility guidelines (including ADAAG in the U.S.A.) for structural strength. Manufacturer's service and parts manual shall be provided to the building owner/manager upon completion of project.

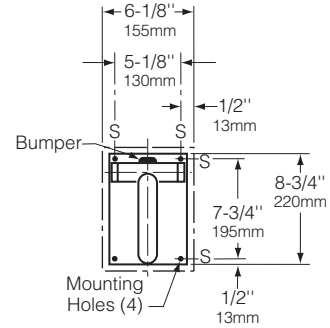
Grab Bar shall be Model _____ (insert model number) of Bobrick Washroom Equipment, Inc., Clifton Park, New York; Jackson, Tennessee; Los Angeles, California; Bobrick Washroom Equipment Company, Scarborough, Ontario; Bobrick Washroom Equipment Pty. Ltd., Australia; and Bobrick Washroom Equipment Limited, United Kingdom.

Specify Finish Required: Satin finish
 Satin finish with peened gripping surface; add suffix .99 to model number

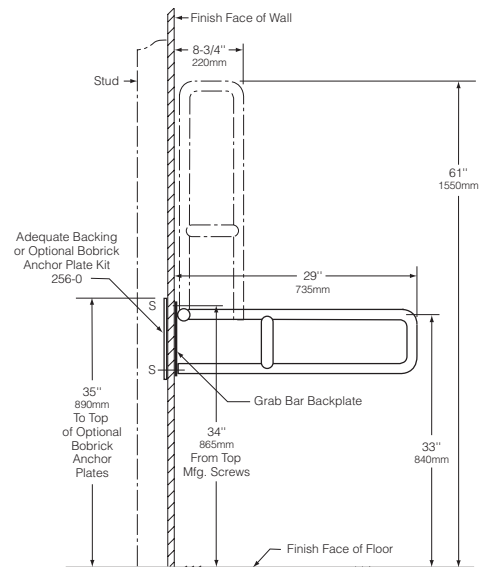
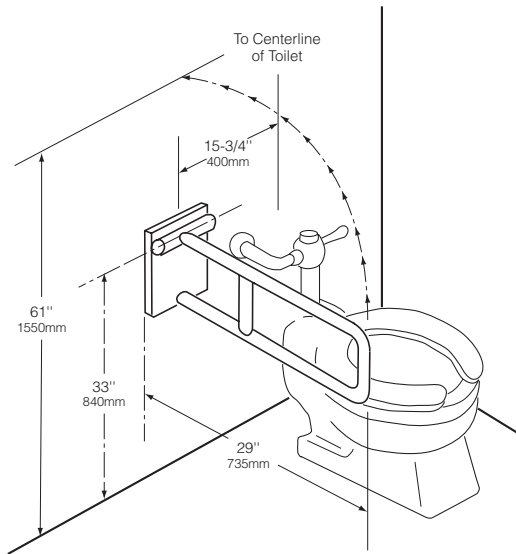
(2) Thus



Patented



Grab Bar Backplate



MATERIALS:

Grab Bar — 18-8 S, type-304, 18-gauge (1.2mm) stainless steel tubing with satin finish. 1-1/4 (32mm) outside diameter. Ends are heliarc welded to flanges.

Backplate — 18-8 S, type-304, 3/16" (5mm) thick, satin-finish stainless steel with four screw holes for attachment to wall.

OPERATION:

Swing-up grab bar is manually raised for approach or departure and lowered to horizontal position for support; once grab bar is raised more than 45° from horizontal position, counterweighted design prevents grab bar from falling back down to full horizontal position.

continued . . .

STRENGTH:

Swing-up grab bar can support loads in excess of 250 pounds (113kg) if properly installed, complying with barrier-free accessibility guidelines (including ADAAG in the U.S.A.) for structural strength.

Caution: *Grab bars are no stronger than the anchors and walls to which they are attached and, therefore, must be firmly secured in order to sustain the loads for which they are intended.*

INSTALLATION:

Provide concealed anchor device or backing as specified or required in accordance with local building codes before wall is finished. Fasten grab bar to anchor device or backing. Concealed anchor devices and mounted screws are not included with Bobrick grab bars and must be specified as an optional accessory.

SPECIFICATION:

Grab bar shall be type-304 stainless steel with satin finish. Grab bar shall have 18-gauge (1.2mm) wall thickness and 1-1/4" (32mm) outside diameter. Flanges shall be 3/16" (5mm) thick stainless steel plate, 3" (75mm) diameter, and equipped with three screw holes for attachment to wall or floor. Swing-up grab bar shall be manually raised for approach or departure and lowered to horizontal position for support; counterweighted design shall prevent grab bar from falling back down to full horizontal position once grab bar is raised more than 45° from horizontal position. Grab bar shall comply with barrier-free accessibility guidelines (including ADAAG in the U.S.A.) for structural strength. Manufacturer's service and parts manual shall be provided to the building owner/manager upon completion of project.

Swing-Up Grab Bar shall be Model _____ (insert model number) of Bobrick Washroom Equipment, Inc., Clifton Park, New York; Jackson, Tennessee; Los Angeles, California; Bobrick Washroom Equipment Company, Scarborough, Ontario; Bobrick Washroom Equipment Pty. Ltd., Australia; and Bobrick Washroom Equipment Limited, United Kingdom.