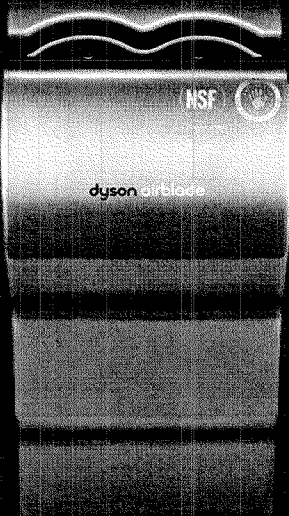


dyson airblade

The fastest, most hygienic hand dryer.

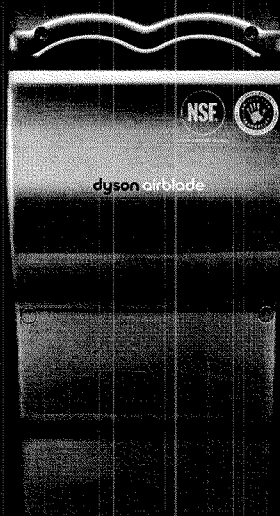
AB02 has an aluminum casing for high-impact venues.

AB
02 Aluminum

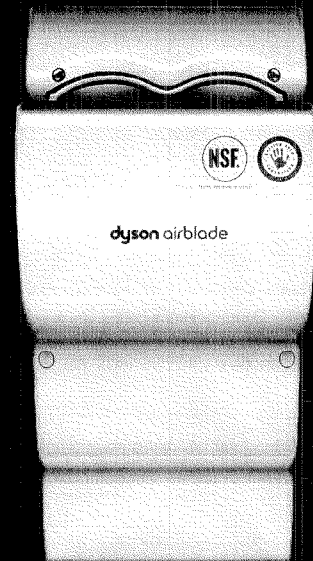


AB04 is made from a tough, polycarbonate-ABS and is 50% less carbon-intensive to manufacture.

AB
04 Steel grey



AB
04 Ice white



12 second dry time

Sheets of air traveling at over 400mph scrape water from hands like a windshield wiper.

Costs less to run

Dries 22 pairs of hands for the price of a single paper towel.*

Uses up to 80% less energy than warm air hand dryers

Patented Dyson digital motor spins 81,000 times a minute – delivering a much faster dry time using less energy.

The most hygienic hand dryer

A HEPA filter removes over 99.9% of bacteria from the air used to dry hands.

Touch-free operation

Starts and stops automatically. No dry buttons to press.

Easy to clean

Sealed casing infused with anti-microbial additives to protect the product.

Tough and durable

Robust, vandal resistant casing.

5 year warranty

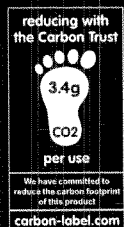
Comes with a five year warranty covering parts and a one year labor warranty.

For more information, call Dyson at:

1-888-DYSON-AB
www.dysonairblade.com

*Calculations based on average paper towel cost of \$0.01 and electricity cost of \$0.0989 per kWh.

NSF



dyson airblade

TECHNICAL SPECIFICATION

208V



Electrical

Electrical supply: 208 V AC, 3 phase 60 Hz
 Rated power: 1600 W
 Motor type: Dyson digital motor. Switched reluctance brushless
 Motor speed: 88,000 rpm
 Heater type: None
 Standby power consumption: 1 W
 Energy consumption per dry: 0.0044 kWh

Construction

Die-cast aluminum casing with anti-microbial scuff resistant lacquer coating on exterior surfaces
 Color finish: Metallic silver, gloss lacquer
 Anti-microbially integrated external plastics, seals and air ducts
 Pressed anti-rust steel back plate / mounting bracket
 Tamper-proof T30 type exterior screws
 Water ingress protection to IPX5

Filtration

HEPA filter with anti-microbial coating
 99.97% particulate efficiency < 99.9% bacterial removal

Operation

Touch-free infra-red activation
 Hand dry time: 10 seconds (measured to method defined by National Sanitation Foundation protocol P.335)
 Airspeed output: 400 mph
 Operating airflow: 74 CFM
 Rated operating noise power: 85 dB(A)

Logistics

Serial number prefix: A02
 Single unit order code: 14645-01
 Unit weight: 32 lb
 Packaged weight: 39 lb
 Packaged dimensions: 29.1" x 14.3" x 12.2"
 Pallet count: 13
 Pallet type: US
 Unit barcode: 879957001848

Standard warranty

5 year parts, 1 year labor limited

Product Certification

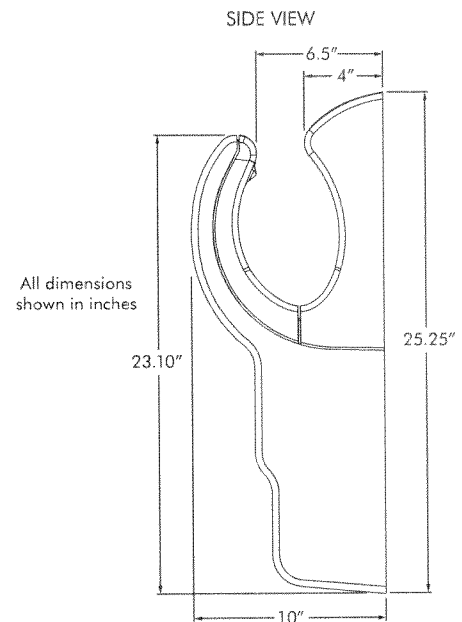
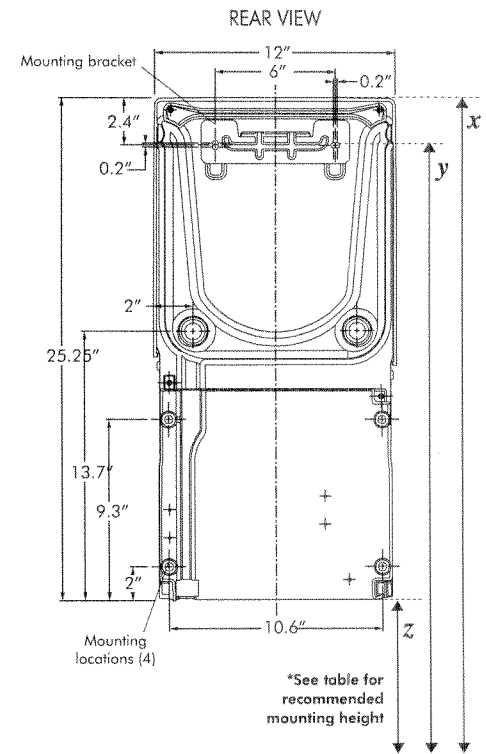
ETL listed in accordance with UL 507
 ADA Compliant

*Recommended installation heights measured from floor	Male	Female	Child or Disabled
x To top of machine	41.25"	38.25"	34.25"
y To mounting bracket screw	39.0"	36.0"	32.0"
z To bottom of machine	16.0"	13.0"	9.0"

Manufactured materials

Plastic: ABS, polyurethane, polypropylene, BMC, PTFE
 Rubber: Styrene, butadiene, EPDM
 Metal: Die cast aluminium, steel, copper, zinc, ferrite cores
 Other: Powder coat, lacquer, glass, glass paper, synthetic fiber fleece, hotmelt glass wool adhesive

For further information please contact Dyson at
1-888-DYSON-AB or email any questions to
airbladeinfo@dyson.com



dyson airblade



The fastest, most hygienic hand dryer.

Electrical:

Input voltage: 110-120V AC, single phase 60 Hz
 Rated power: 1400W, 12.0A
 Motor type: Dyson Digital Motor. switched reluctance brushless
 Motor speed: 81,000 rpm
 Heater type: None
 Standby power consumption: 1w
 Energy consumption per dry: .00468kwh

Construction:

Die-cast aluminum casing with anti-microbial scuff resistant lacquer coating on exterior surfaces
 Color finish: Metallic silver, gloss lacquer
 Anti-microbially integrated external plastics and seals
 Pressed anti-rust steel backplate
 Tamper-proof T30 type exterior screws
 Water ingress protection to IPX5

Filtration:

HEPA filter with anti-microbial coating
 99.97% particulate efficiency <99.9% bacteria removal.

Operation:

Touch-free infra-red activation
 Hand dry time: 12 seconds
 (measured to method defined in National Sanitation Foundation protocol P335)
 Airspeed at nozzle: 400mph
 Operating airflow: 68cfm
 Rated operating noise power: 84db(A)

Logistics:

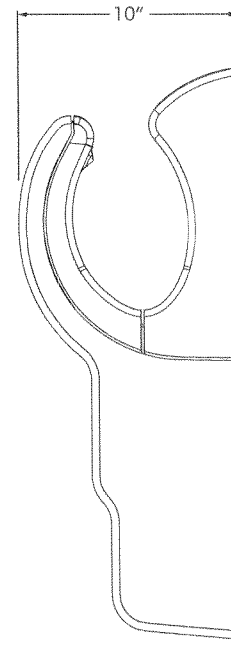
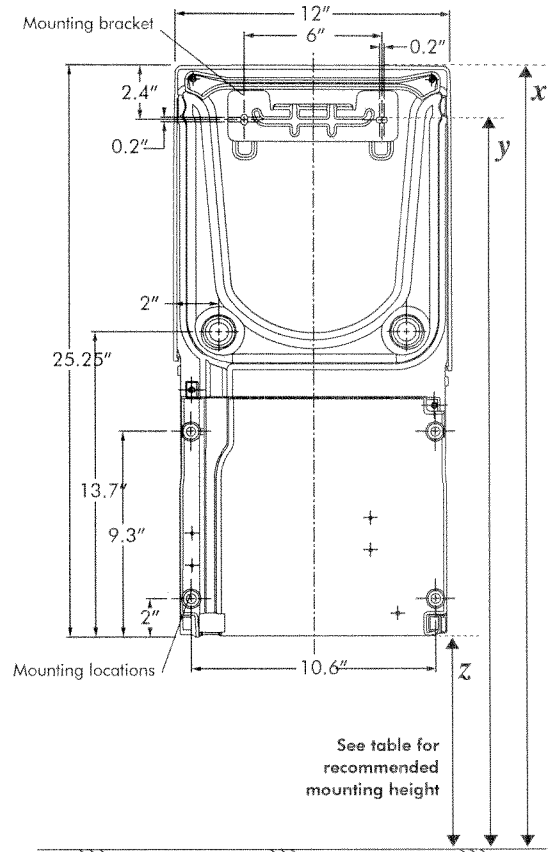
Single unit order code: 13043-01
 Unit weight: 32lb
 Packaged weight: 39lb
 Packaged dimensions: 29.1" x 14.3" x 12.2"
 Pallet Count: 13
 Pallet Type: US
 Unit Barcode: 879957001275

Standard warranty:

5 year parts, 1 year labor limited

Product Certification

ETL listed in accordance with UL507



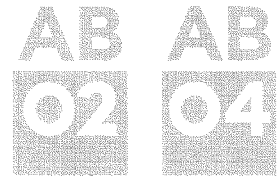
Recommended height from floor	Male	Female	Child/Disabled
x To top of machine	41.25"	38.25"	34.25"
y To mounting bracket screw	39"	36"	32"
z To bottom of machine	16"	13"	9"



TESTED. CERTIFIED. HYGIENIC.

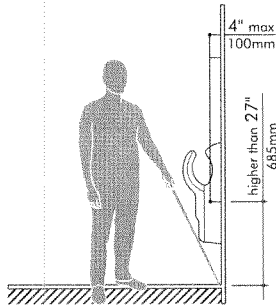
dyson airblade

DESIGN AND BUILD SPECIFICATION



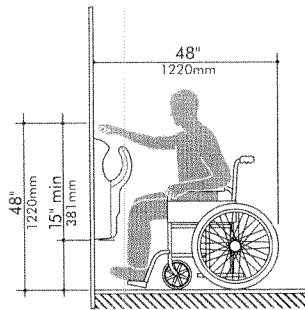
Mobility access within washroom facilities

The Americans with Disabilities Act (ADA) defines the accessible requirements for the design and construction of washroom spaces in the United States.* Detailed below are examples of the installation requirements for hand dryers. The Dyson Airblade™ hand dryer (AB02, AB04) has been designed to comply with these recommendations.



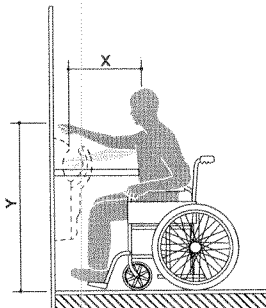
Clearance for wall-mounted protruding objects

Objects that protrude beyond 4" (100mm) from the wall must be mounted so that part of the object is below 27" (685mm) from the floor in order to overlap the cane detection range specified by ADA standards.



Forward reach:

Maximum high forward reach allowed shall be: 48" (1220mm)
Minimum low forward reach allowed shall be: 15" (381mm)



Forward reach over an obstruction:

When the reach x is less than 20" (510mm) then the maximum height y shall be 48" (1220mm) maximum.

US09P003 01.1.4.09 ©2009 Dyson



www.GreenSpec.com

TESTED. CERTIFIED. HYGIENIC

*Source: ADA Accessibility Guidelines for Buildings and Facilities (ADAAG), Section 4. Accessible Elements and Spaces: Scope and Technical Requirements.

Hygiene NSF International

By working with NSF International to develop the first comprehensive protocol for hygienic hand dryers, Dyson has demonstrated the commitment of a true leader.

Responsible Engineering Carbon Reduction Label

Good design and environmental responsibility go hand in hand. Delivering better performance, with less energy and fewer materials.

Food Safe HACCP International

HACCP International has reviewed the Dyson Airblade™ hand dryer (AB02) and found it entirely suitable for use in all areas of food handling facilities.

LEED US Green Building Council

The Dyson Airblade™ hand dryer conserves energy and helps reduce operational pollution and waste.

Dyson scientists asked public health experts, NSF International, to define the criteria for a hygienic hand dryer. The result is NSF protocol P335: Unheated, HEPA-filtered air; touch-free operation; and a dry-time below 15 seconds.

"The Dyson Airblade™ hand dryer is the only one certified to NSF Protocol P335," says Rob Danofrio, Director of NSF's Microbiology Laboratories.

"The protocol determines what makes a hand dryer hygienic. That covers disinfection, machine cleaning and maintenance. It's also about drying hands using air that's passed through a high-efficiency particulate air (HEPA) filter that removes 99.9% of bacteria-sized particles."

The Dyson Airblade™ hand dryer is the first and only hand dryer to receive the Carbon Reduction Label from the Carbon Trust.

Each of the machine's more than 275 components were traced back to its source to determine the total energy and water used and waste generated. Even the smallest component was measured – a PCB resistor weighing just 0.09g.

The Carbon Reduction Label recognizes Dyson's commitment to reducing the carbon footprint of the Dyson Airblade™ hand dryer over the next two years.

"More than ever, everything we make and do has a carbon impact," says Tom Deloy, Chief Executive of the Carbon Trust. "We commend Dyson for their commitment to measuring and reducing the carbon footprint of the Dyson Airblade™ hand dryer."

HACCP International is an independent certification body, specializing in food safety. It assesses non-food products and services that are aimed at the food industry – or are potentially suitable for it.

They have certified the Dyson Airblade™ hand dryer as appropriate for use in food facilities that operate in accordance with an HACCP-based Food Safety Programme.

"The technology addresses a number of unacceptable risks posed by hand dryers in the past," says Clive Withinshaw, Director, HACCP International. "It's easy to clean and is a touch-free system. It also has a fast dry cycle. With the inclusion of a HEPA filter, these features combine to reduce considerably the risk of microbiological contamination and thereby meet HACCP International's food safety criteria."

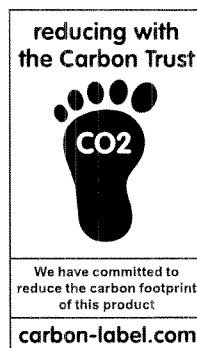
The United States Green Building Council (USGBC) is a non-profit organization, promoting best practice in sustainable building design and construction. It has developed LEED (Leadership in Energy and Environmental Design), which promotes and recognizes environmental leadership in the building industry – and defines a common standard of measurement.

Because the Dyson Airblade™ hand dryer uses up to 80% less energy than warm air dryers and cuts paper towel landfill, the USGBC awards certification points to buildings that install it. The Dyson Airblade™ conserves energy, manages loads, and reduces operational waste and pollution. Based on these green attributes, buildings with a Dyson Airblade™ hand dryer installed can apply for LEED energy efficiency points.



Certified by the National Sanitation Foundation

The Dyson Airblade™ hand dryer meets every criteria NSF International set, making it the only truly hygienic hand dryer.



Only one hand dryer has the Carbon Reduction Label.



Hazard Analysis and Critical Control Point (HACCP) is a systematic approach to food safety. It uses a preventative approach to addressing risks presented by physical, chemical and biological hazards.



The Dyson Airblade™ hand dryer is a GreenSpec-listed product as recommended by BuildingGreen.

Try saying "hand dryer" without rolling your eyes. It's not easy. They've been around for over 60 years now. And they still don't work properly.

That is, until the Dyson Airblade™ hand dryer came along.

International Awards, Endorsements and Commendations

International Awards:

Carbon Positive
Cutting Edge Award 2008, UK
Carbon Reduction Label –
Carbon Trust, 2010, UK / USA
Designx: Bathroom Product of the Year
Award 2008, Australia
Equip'Hotel Special Innovation Award
2008, France
Expocomfort Expobagno:
Comfort & Design Award, 2008, Italy
Green Building of America –
Team Member Award, 2010, USA
Hospitality Expo: Best Energy Saving
Product of the Show 2008, Ireland
iF Product Design Award, 2009, EU
IFEX: Best Sustainable & Environmentally
Enhancing Product 2008, Northern Ireland
Innovation Awards,
Best Innovative Product, 2009, EU
Interbuild 2007: Best Overall Product, UK
Intergastra: Gastro Innovations Preis
2008, Germany
Janus de l'Industrie 2007, France
Marketing Week Effectiveness Awards:
Brand Innovation of the Year 2008, UK
National Energy Efficiency Awards:
Energy Efficient Product 2007, UK
North American Hand Dryer Green
Excellence of the Year Award, 2008, USA
Observateur du Design Star 2007, France
Red Dot Design Award, 2009, EU
Society of Food Hygiene & Technology
Awards: Best New Product 2007, UK
Spark Design Award, 2008, USA
Working Buildings Week Innovation
Awards: Best Workplace Product
Innovation 2007, UK
2009 Best of Chicago Award Electric
Dryers category, US Commerce
Association, USA
2008 Good Design Award, Chicago
Atheneum: Museum of Architecture
and Design, USA

Endorsements:

GreenSpec approved product by
Building Green, USA
Hygiene Research Certified by the
Royal Society of Public Health, UK
Skincare Research Validated by the
British Skin Foundation, UK
The Only Hygienic Commercial Hand
Dryer certified by NSF International, USA
HACCP International, USA

Commendations:

Best Interior Product, Interbuild 2007,
Highly Commended, UK
Highly Commended – World Architecture
News Product Awards, 2009, EU
Sustainable Building Services Awards:
Green Product of the Year 2007,
Highly Commended, UK

To try the Dyson Airblade™ hand
dryer or for more information call:
1-888-DYSON-AB
or go to:
www.dysonairblade.com

dyson airblade

Awards & endorsements

Find out why the Dyson Airblade™ hand dryer has received more awards and endorsements than any other hand dryer.